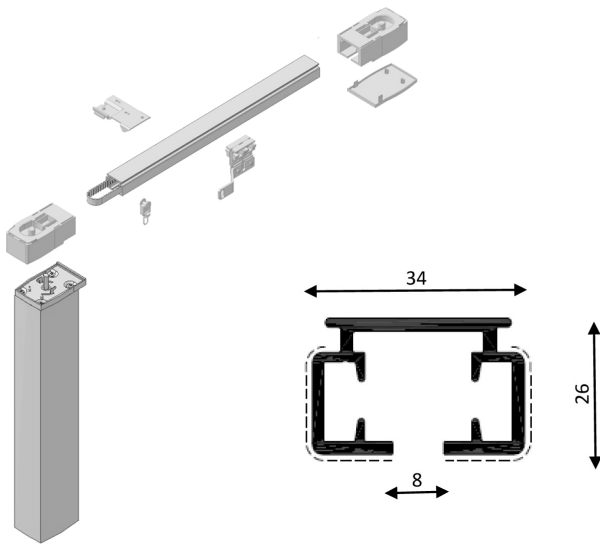


MTS 3522 Wired system

MTS 3522b Battery power system



Benefits of Aura Motorised Curtain Track

- Very quiet electronic motor with 'Pull-start' over-ride
- Radio control switches wall/remote
- Option of rechargeable battery-pack (approx. 500 cycles/6 months). Re-charge in 6 hours
- Single motor – 45kg curtain weight.
- Tandem motor (each end) – 90kg curtain weight
- Option of standard or Ripple gliders - 80mm Ripple spacing



REMH01

Remote control 1 channel
 Can control up to 20 receivers at once
 Transmission distance 35m inside
 130mm x 44mm x 10.5mm

REMH15

Remote control 15 channels
 Each channel can control up to 20 receivers at once
 Transmission distance 35m inside
 130mm x 44mm x 10.5mm