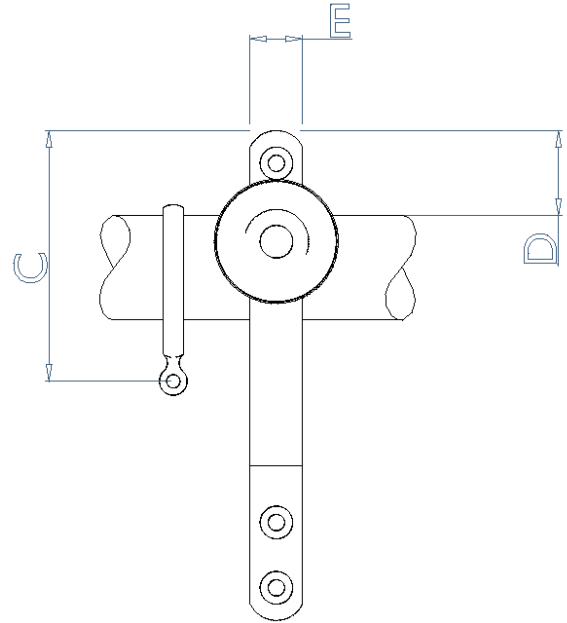
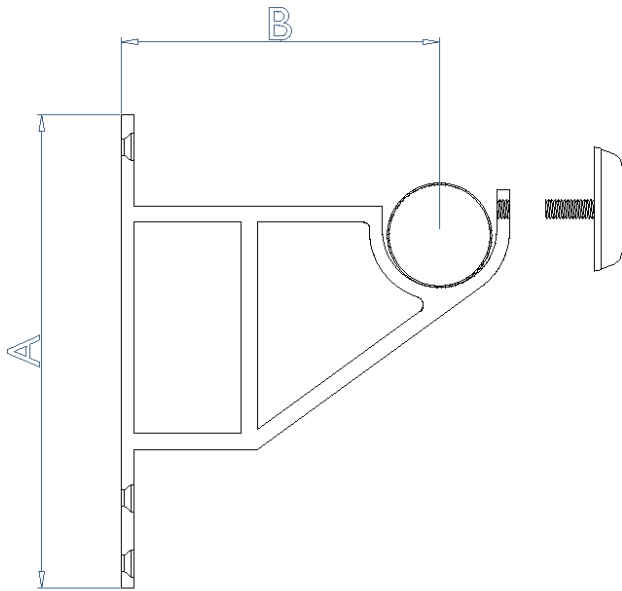


MADE TO MEASURE END / CENTRE BRACKET



POLE DIAMETER	MTM END BRACKET				
	A	B	C	D	E
19mm	110	MADE TO MEASURE	60	12	12
25mm	120		60	15	12
32mm	135		80	20	15
38mm	150		85	20	15
50mm	170		60	10	18
63mm	180		100	10	20
75mm	190		110	10	22

POLE DIAMETER	MTM CENTRE BRACKET				
	A	B	C	D	E
19mm	30	MADE TO MEASURE	60	12	50
25mm	35		60	15	60
32mm	35		65	10	60
38mm	45		75	10	85
50mm	45		80	5	85
63mm	50		90	0	100
75mm	50		105	0	100

