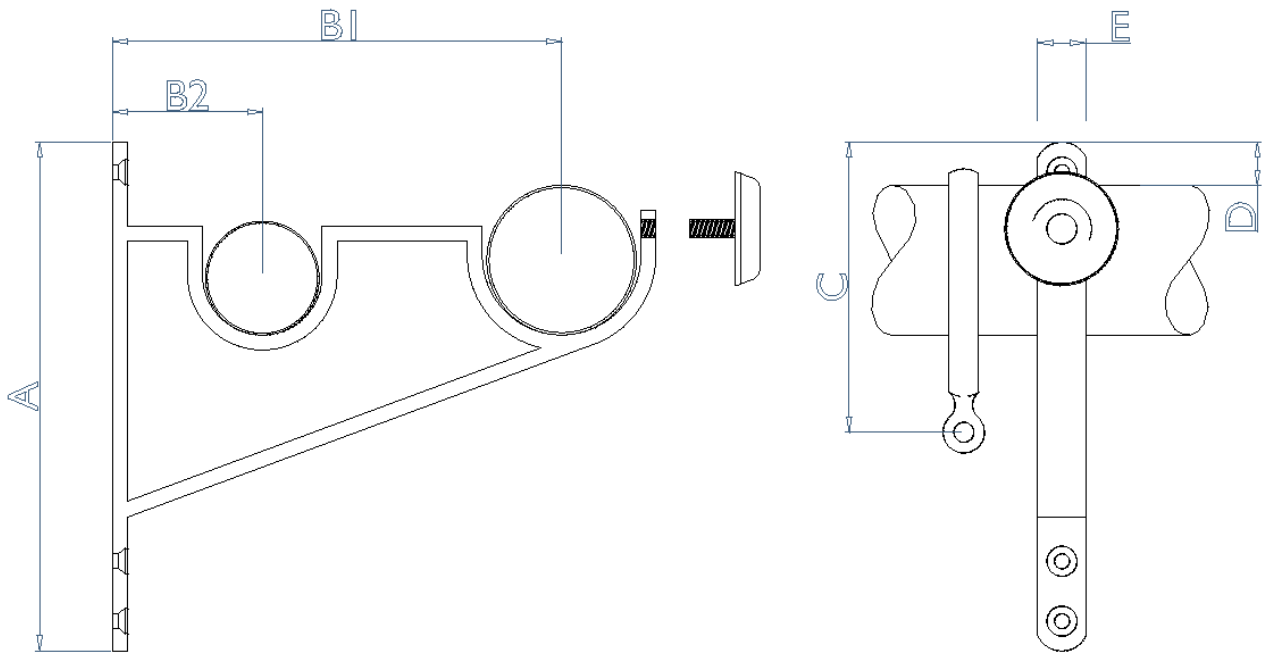


# DOUBLE END / CENTRE BRACKET



	DOUBLE END BRACKET					
POLE DIAMETER	A	B1	B2	C	D	E
19mm	110	MADE TO MEASURE	MADE TO MEASURE	60	12	12
25mm	120			60	15	12
32mm	135			80	20	15
38mm	150			85	20	15
50mm	170			60	10	18
63mm	180			100	10	20
75mm	190			110	10	22

	DOUBLE CENTRE BRACKET					
POLE DIAMETER	A	B1	B2	C	D	E
19mm	30	MADE TO MEASURE	MADE TO MEASURE	60	12	50
25mm	35			60	15	60
32mm	35			65	10	60
38mm	45			75	10	85
50mm	45			80	5	85
63mm	50			90	0	100
75mm	50			105	0	100

