

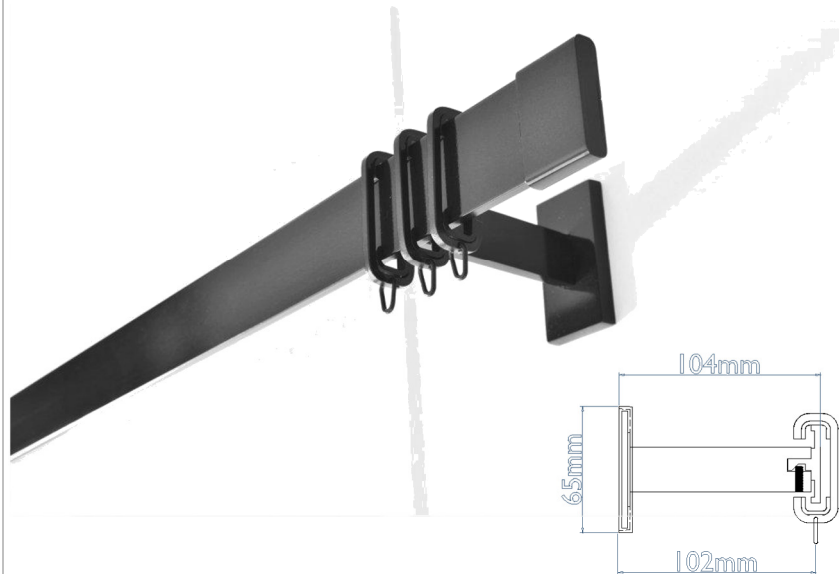
TECHNICAL SPECIFICATIONS

Telephone: 023 9225 2525

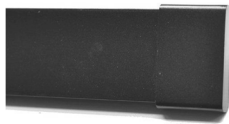
Email: sales@tillysinteriors.com



BARRE



40mm HIGH FLAT ALUMINIUM PROFILE
WITH SQUARE C RINGS



END CAP

Length 30mm



WALL FIX BRACKET

Projection wall to centre of Barre 104mm
Height / width of back plate 65mm / 35mm
Top of back plate to top of Barre 10mm



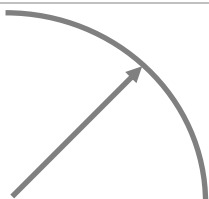
CEILING FIX BRACKET

Height / width of back plate 65mm / 35mm
Ceiling to top of Barre 28mm



C RINGS

Top of Barre to bottom of eye in ring 60mm



Suitable for bay windows

Angle bend - 20cm radius