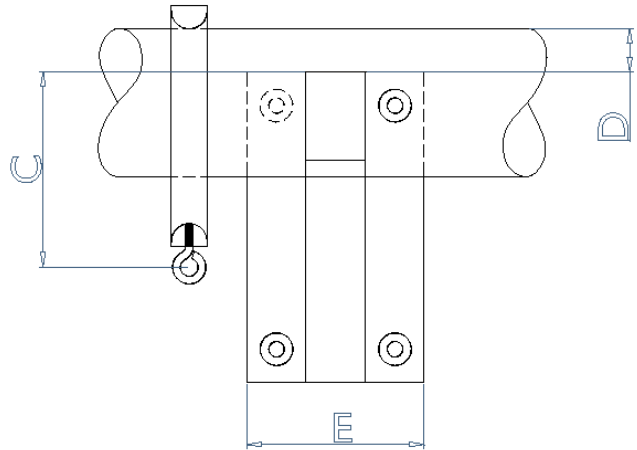
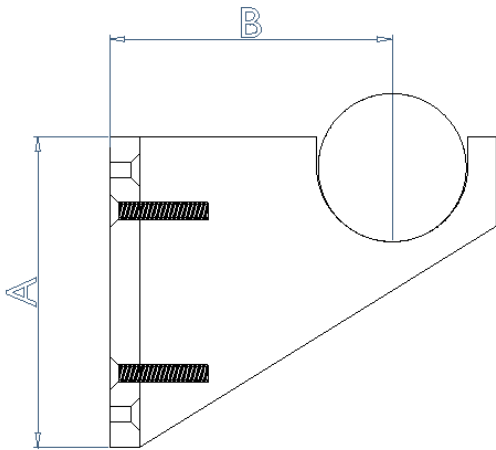


Telephone: 023 9225 2525

Email: sales@tillysinteriors.com

ACRYLIC END / CENTRE BRACKET



| | ACRYLIC END BRACKET | | | | |
|---------------|---------------------|-----|----|----|----|
| POLE DIAMETER | A | B | C | D | E |
| 35mm | 105 | 100 | 55 | 10 | 60 |
| 50mm | 105 | 100 | 65 | 15 | 60 |
| 63mm | 120 | 100 | 65 | 20 | 70 |

| | ACRYLIC CENTRE BRACKET | | | | |
|---------------|------------------------|-----|----|----|----|
| POLE DIAMETER | A | B | C | D | E |
| 35mm | 50 | 100 | 55 | 10 | 60 |
| 50mm | 50 | 100 | 65 | 15 | 60 |
| 63mm | 60 | 100 | 65 | 20 | 70 |

